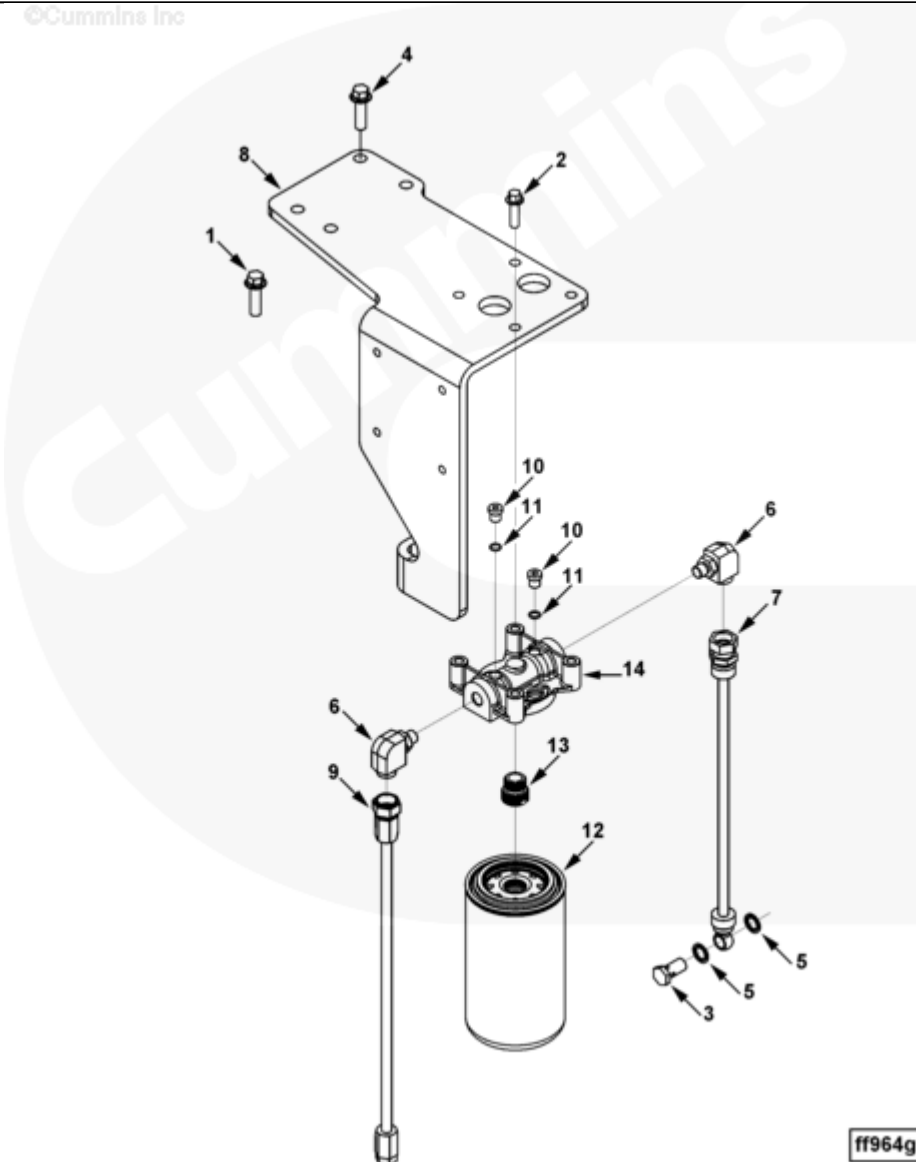




## Parts Catalog - Option Detail

Electronic Parts Catalog - Option Detail				
Option	Group	Graphic	Film Card	Date
FF9475-05	06.04	ff964gc	Z	13-AUG-04
<b>Engines</b>	6C8.3, C GAS PLUS CM556, G8.3, G8.3 CM558, GTA8.3 CM558, ISC CM2150, ISC CM554, ISC CM850, ISC8.3 CM2250, ISC8.3 G CM2180 C101, ISL CM2150, ISL CM554, ISL CM850, ISL G CM2180, ISL8.9 CM2150 L110, ISL8.9 CM2880 L112, ISL9 CM2150 SN, ISL9 CM2250, ISL9 CM2350 L101, ISL9 CM2350 L111, ISLE4 CM850, L GAS PLUS CM556, L8.9, L8.9 L121, L8.9G CMOH2.0 L125B, L9 CM2350 L116B, L9 CM2350 L119B, L9 CM2350 L120C, L9 CM2350 L123B, L9.3 L105, L9.5 L117, L9N CM2380 L124B, QSC8.3 CM2250, QSC8.3 CM2880 C102, QSC8.3 CM554, QSC8.3 CM850(CM2850), QSL9 CM2250, QSL9 CM2250 L115, QSL9 CM2350 L102, QSL9 CM2350 L107, QSL9 CM2350 L118, QSL9 CM2350 L122, QSL9 CM554, QSL9 CM850(CM2850), QSL9 G CM558, QSL9 M CM2250 L106, QSL9.3 CM2880 L113			



ff964gc

SMALL | MEDIUM | LARGE

Cart	Ref No	Part Number	Part Description	Required	Remarks
View My Cart					
		<a href="#">FF9475-05</a>	Fuel Filter		<a href="#">MR - FILTER, FUEL...(More)</a>
					Engine Family: C & L Series
					Engine Cylinders: 6
					Element Type: Single
					Element Style: Spin On
					Water Separator: No
					WIF Sensor: No
					Fuel Heater: No
					Fuel Heater Voltage: N/A
					Absolute Filtration: 3
					Microns
					Lift Pump Incorporated: No
					Lift Pump Voltage: N/A
					Fuel Filter Inlet Port:
					11/16 - 16 UNF
					Fuel Filter Inlet Location:
					X: 383
					Y: 471
					Z: -107
					Fuel Filter Outlet Port:
					11/16 - 16 UNF
					Fuel Filter Outlet Location:
					X: 383
					Y: 471
					Z: -13.5
<input type="checkbox"/>	1	<a href="#">3089016</a>	Hexagon Flange Head Cap Screw	2	M10 X 1.50 X 35.
<input type="checkbox"/>	2	<a href="#">3902114</a>	Hexagon Flange Head Cap Screw	4	M8 X 1.25 X 30.

<input type="checkbox"/>	3	<a href="#">3903035</a>	Banjo Connector Screw	2	M12 X 1.50 X 24.
<input type="checkbox"/>	4	<a href="#">3903464</a>	Hexagon Flange Head Cap Screw	1	M10 X 1.50 X 40.
<input type="checkbox"/>	5	<a href="#">3963990</a>	Sealing Washer	4	M12.
<input type="checkbox"/>	6	<a href="#">3967147</a>	Male Adapter Elbow	2	M12
<input type="checkbox"/>	7	<a href="#">3970049</a>	Flexible Hose	1	
<input type="checkbox"/>	8	<a href="#">3974032</a>	Filter Bracket	1	
<input type="checkbox"/>	9	<a href="#">3977553</a>	Flexible Hose	1	
<input type="checkbox"/>		<a href="#">3977721</a>	Fuel Filter	1	
<input type="checkbox"/>		<a href="#">3678923</a>	Threaded Plug	2	M10 X 1.00 X 13.5
<input type="checkbox"/>	10	<a href="#">3678924</a>	Threaded Plug	1	M10 X 1.00 X 13.5
<input type="checkbox"/>	11	<a href="#">3678925</a>	O-Ring Seal	1	M10.
<input type="checkbox"/>	12	<a href="#">3959612</a>	Fuel Filter	1	C. Filtration P/N FF0548800
<input type="checkbox"/>	13	<a href="#">3959613</a>	Filter Head Adapter	1	
<input type="checkbox"/>	14	<a href="#">3977722</a>	Fuel Filter Head	1	